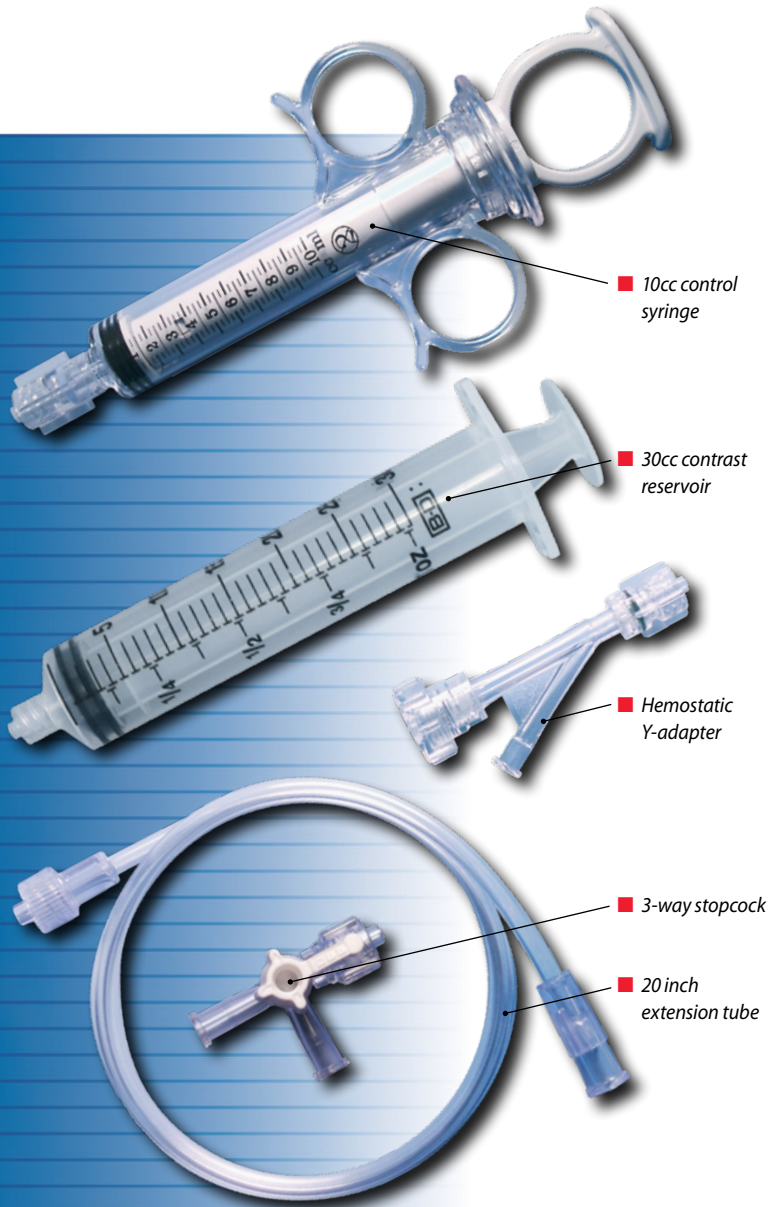


Contrast Administration Kit

for use with **SafeSheath[®] CSG & LVI**



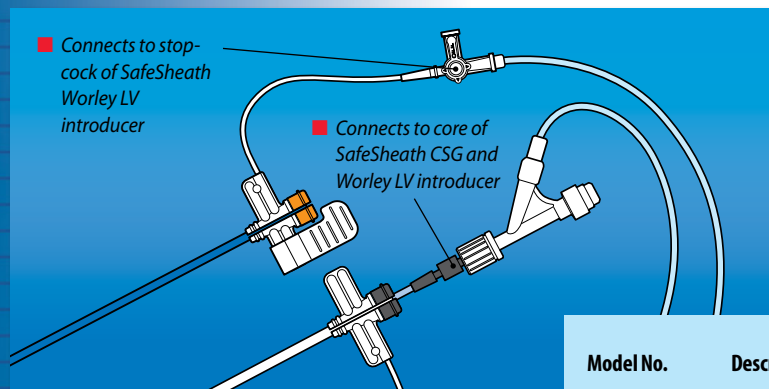
■ 10cc control syringe

■ 30cc contrast reservoir

■ Hemostatic Y-adaptor

■ 3-way stopcock

■ 20 inch extension tube



■ Connects to stop-cock of SafeSheath Worley LV introducer

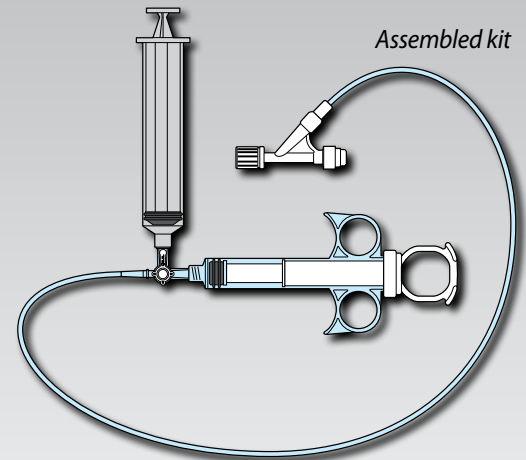
■ Connects to core of SafeSheath CSG and Worley LV introducer

Contrast injection components for use with SafeSheath CSG and Worley LV introducers.

The SafeSheath CSG & LVI **Contrast Administration Kit** provides convenient contrast injection capability during coronary sinus lead placement.

Designed for use with the **SafeSheath CSG** family of coronary sinus introducers and the **SafeSheath Worley Telescopic Series** of lateral vein introducers, the kit allows contrast injection while maintaining hemostasis.

The SafeSheath CSG & LVI Contrast Administration Kit is part of a complete line of implantable device therapy products and accessories from Pressure Products.



Assembled kit

Each sterile kit includes:

- 30cc contrast reservoir
- 10cc control syringe
- Hemostatic Y-adaptor
- 20 inch extension tube
- 3-way stopcock

Model No.	Description
ARMT001-04	Contrast Administration Kit for SafeSheath CSG and SafeSheath Worley LVI

ARMT001-04 Contrast Administration Kit for SafeSheath CSG and SafeSheath Worley LVI

SafeSheath and CSG are registered trademarks of Pressure Products, Inc.

Pressure Products, Inc.
 Customer Service
 1861 N. Gaffey Street Suite B San Pedro, CA 90731
 (800) 600-4973 (310) 547-4973 Fax (310) 547-4760 www.pressure-products.com